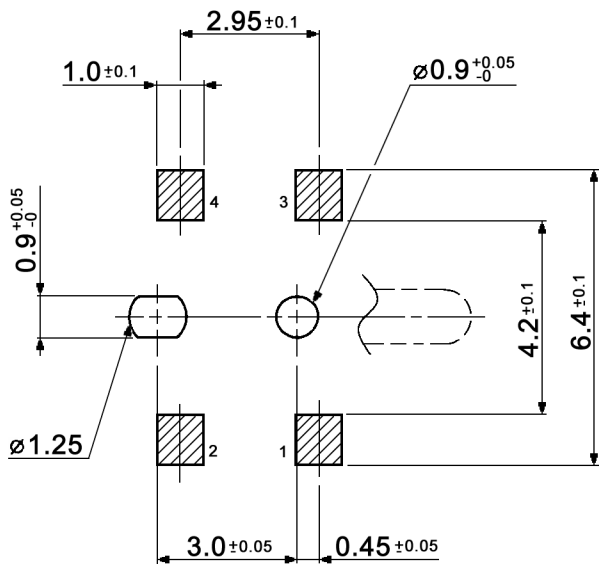
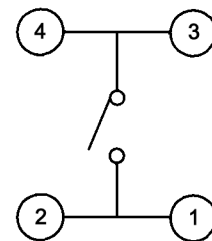


P.C.B. LAND DIMENSION $\oplus 0.05$



CIRCUIT DIAGRAM



Compliance: RohS II (2011/65/EU)

Tolerances: up to 10: ±0.2mm above 10-50: ±0.3mm		Date	Name
		07/11	dr
Operating temperature	10/16	dr	
Specifications	05/15	dr	
Table "x"	03/14	dr	
Revised	02/14	dr	
Rename	01/14	dr	
Modifications	Date	Name	

DTS 110 CxP-RT-1S-LF

knitter-switch

30 24 25

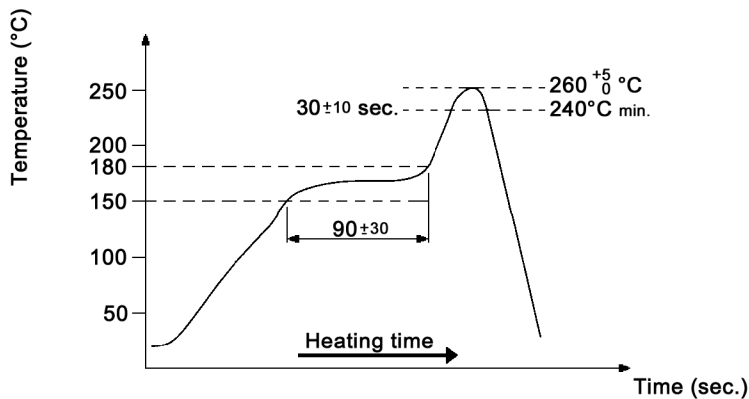
Page

1/3

Specifications:

Contact rating: 1mA, 5V DC
Contact resistance: 10hm max.
Insulation resistance: 100Mohm min. at 100V DC for 1 minute
Dielectric strength: 100V AC (50/60Hz, 2mA) for 1 minute
Operating temperature: -40°C to +85°C
Storage temperature: -40°C to +85°C
Electrical life: 100 000 cycles
Operating force: 0.5N
Material: Spring / cover: stainless steel, natural
 Contact plate: stainless steel, gold plated
 Case: PPA, black
 Terminal: phosphor bronze, gold plated
 Slider: HTN, black

Soldering conditions:

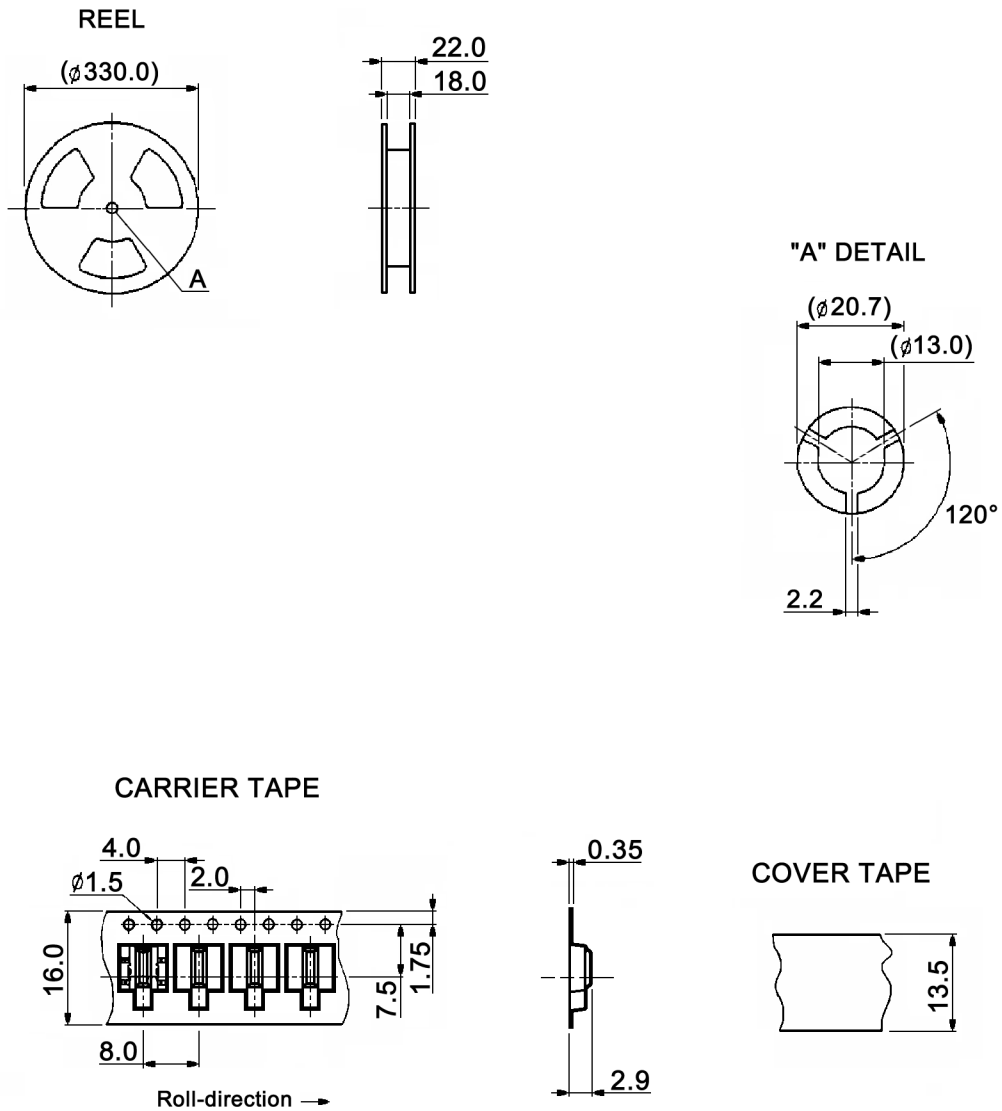


x	Contact and terminal surface
empty	silver plated
B	0.075µm gold plated

Compliance: RohS II (2011/65/EU)

Tolerances: up to 10: ±0.2mm above 10-50: ±0.3mm		Date	Name	DTS 110 CxP-RT-1S-LF
		07/11	dr	
		knitter-switch		30 24 25
Modifications		Date	Name	Page 2/3

Packaging:



Packaging unit: 3000 pcs. / reel
 Compliance: RohS II (2011/65/EU)

Tolerances: up to 10: $\pm 0.2\text{mm}$ above 10-50: $\pm 0.3\text{mm}$		Date	Name
		07/11	dr
Modifications	Date	Name	

DTS 110 CxP-RT-1S-LF

knitter-switch

30 24 25

Page

3/3